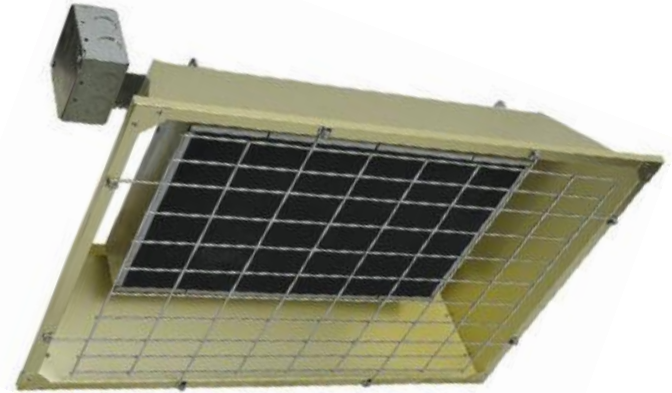




FSS-43 Series
Heavy Duty Electric Overhead
Infrared Heater
 Data Sheet

General Characteristics of Industrial Infrared Heater FSS-43 Series

Housing is ETL-CETL listed for indoor, dry environment applications only. High-Density medium wave radiant heat, with 60° symmetric heat pattern, reference the sizing chart to determine overall coverage based on the mounting height.
 Approximately 78.5% efficient vs 50% efficiency of metal sheath elements. More uniform heat pattern than metal sheath.
 Rugged flat panel emitter, great for high vibration areas.
 .040 Gold anodized aluminum housing for efficient, long term reflectivity & corrosion resistant.
 Heavy duty flat panel emitter. Available wattages in 1450, 3150, 4300 and 9500 Watts per element.
 Available in standard voltages from 120 to 600 Volts.
 Single or three phase wiring on select models.
 "L" brackets included for chain suspension, or rigid mounting.
 Field wiring box mounted on each heater.
 Heavy duty wire guard factory installed.
 25,000 hour element life expectancy.
 Flat panel emitter heaters are not manufactured with any control device on the unit. All controls and accessories should be specified as remote mounted.
 Accessories: All contactor panels quoted separately.
 Shipped fully assembled.
 Made in U.S.A.



Product Applications of Industrial Infrared Heater FSS-43 Series

Overhead Infrared Heaters for Snow & Ice Control, Outdoor Spot Heating & All Indoor Heating Applications.

Warranty Industrial of Infrared Heater FSS-43 Series

Manufacturer's Warranty: 1 year.

Specific Characteristics of Industrial Infrared Heater FSS-43 Series

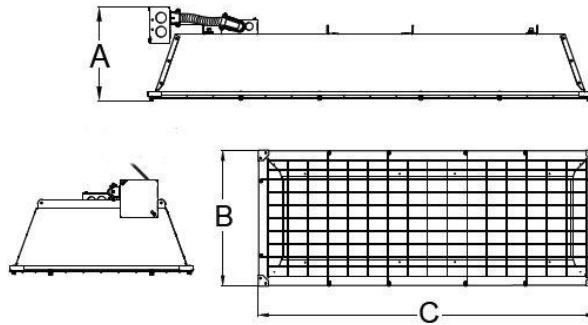
Item #	Manufacturing #	Watts W	BTU'S	Volts V	Phases Ph	Amperes A	Reflector Pattern	Color	# of Quartz Lamps Included	Weight and Dimension with Packaging	
										Lbs.	L,W,H In
USTOL-001	FSS-4320-3	4300	14672	208	1 / 3	20.67/11.94	60° Symmetrical	Aluminum	1	19	31,22,11
USTOL-002	FSS-4324-3	4300	14672	240	1 / 3	17.91/10.36	60° Symmetrical	Aluminum	1	19	31,22,11
USTOL-003	FSS-4327-1	4300	14672	277	1	15.52	60° Symmetrical	Aluminum	1	19	31,22,11
USTOL-004	FSS-4348-3	4300	14672	480	1 / 3	8.96/5.18	60° Symmetrical	Aluminum	1	19	31,22,11
USTOL-005	FSS-4357-3	4300	14672	600	1 / 3	7.48/4.32	60° Symmetrical	Aluminum	1	19	31,22,11



FSS-43 Series
Heavy Duty Electric Overhead
Infrared Heater
 Data Sheet

Dimensions (in) of Industrial Infrared Heater FSS-43 Series

Series	Length C	Width B	Height A
USTOL-001 to 009	29	20	9-3/4



Mounting Clearances and Mounting Height of Industrial Infrared Heater FSS-43 Series

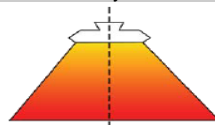
All USTOL models	Mounting Clearances	KW	Recommended Mounting Height
	24" from ceiling	1.4	8' – 10'
36" from vertical surface & from another heater	3.1	8' – 12'	
72" from face of heater to combustible surface	4.3	10' – 14'	
	9.5	12' – 16'	

Sizing Table

Mounting Height	Model #	Length	Width	Coverage (SQ. FT.)	Watts (SQ. FT.)
8'	USTOL-001 to 005	-	-	-	-
10'	USTOL-001 to 005	12	10	120	35.8
12'	USTOL-001 to 005	14	12	168	25.6
14'	USTOL-001 to 005	16	14	224	19.2
16'	USTOL-001 to 005	18	16	288	14.9

Reflector Patterns of Industrial Infrared Heater FSS-43 Series

60° Symmetric



Short Description of Industrial Infrared Heater FSS-43 Series

VentDepot Item #	Manufacturing #	Short Description 70 Characters Maximum
		1234567890123456789012345678901234567890123456789012345678901234567890

USTOL-001 FSS-4320-3 4300w, 14672BTUs, 208V, 1Ph, 20.67A, 60° Symmetrical. 1 Quartz Lamp.



Ecological HVAC Supply & Engineering
 1-888-514-1516, (626) 771-0048, F: (626) 771-0047
 sales@ventdepot.com www.VentDepot.com



TPI Corporation
 America's Comfort Conditioning Company

FSS-43 Series Heavy Duty Electric Overhead Infrared Heater Data Sheet

SEO Table of Industrial Infrared Heater FSS-43 Series

Title

Industrial Electric Infrared Aluminum 1 Lamp TPI Heater FSS-43 Series.

Meta Description

Industrial Electric Infrared Aluminum 1 Lamp TPI Heater FSS-43 Series for Commercial Use, Industrial Electric Infrared Aluminum 1 Lamp TPI Heater FSS-43 Series for Industrial Use, Industrial Electric Infrared Aluminum 1 Lamp TPI Heater FSS-43 Series for Indoor Use, Industrial Electric Infrared Aluminum 1 Lamp TPI Heater FSS-43 Series for Spot Heating Use, Industrial Electric Infrared Aluminum 1 Lamp TPI Heater FSS-43 Series for Zone Heating Use, Industrial Electric Infrared Aluminum 1 Lamp TPI Heater FSS-43 Series for Total Area Heating Use.

Meta Key Words

Industrial Electric Infrared Aluminum 1 Lamp TPI Heater FSS-43 Series for Commercial Use, Industrial Electric Infrared Aluminum 1 Lamp TPI Heater FSS-43 Series for Industrial Use, Industrial Electric Infrared Aluminum 1 Lamp TPI Heater FSS-43 Series for Indoor Use, Industrial Electric Infrared Aluminum 1 Lamp TPI Heater FSS-43 Series for Spot Heating Use, Industrial Electric Infrared Aluminum 1 Lamp TPI Heater FSS-43 Series for Zone Heating Use, Industrial Electric Infrared Aluminum 1 Lamp TPI Heater FSS-43 Series for Total Area Heating Use.

Meta URL (file name)

industrial-electric-infrared-tpi-heater-1-lamp-fss-43-series-us-english.htm

Product Line Description of Industrial Infrared Heater FSS-43 Series

```
<FONT Size=1>
<b>Product Description:</b> Electric Infrared 1 Lamp TPI Heater<br>
<b>Weather Rating:</b> Outdoor/Indoor<br>
<b>Watts:</b> 4300W<br>
<b>Heat Output:</b> 14672BTUs<br>
<b>Voltage:</b> 208,240,277,480 or 600V<br>
<b>Phases:</b> 1 or 3Ph<br>
<b>Reflector Angles:</b> 60°<br>
<b>Color:</b> Aluminum<br>
<b>Lamp Amount:</b> 1 Lamp<br>
<b>Amperes:</b> 4.32 to 20.67A<br>
<b>Product Type:</b> Industrial/Electrical TPI Heaters<br>
<b>Usual Delivery Time or Lead Time:</b> 1 to 2 weeks<br>
</FONT>
```